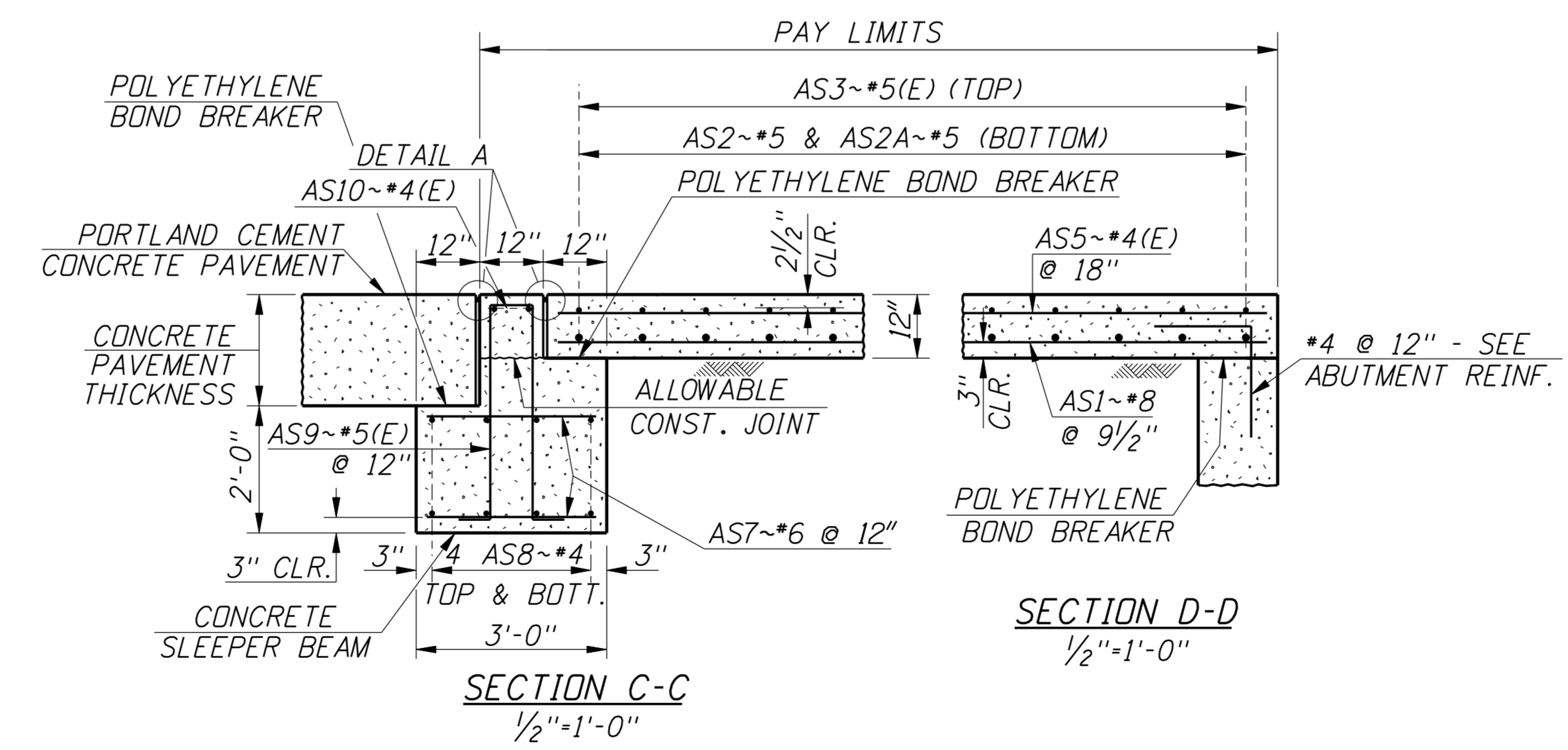
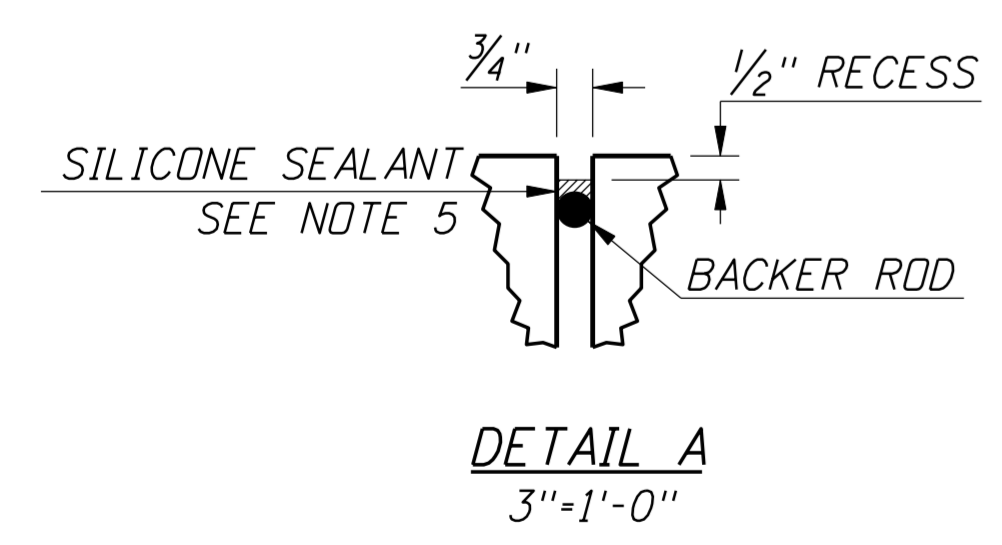


**APPROXIMATE QUANTITIES**

CONCRETE	0 CY
PLAIN REINF.	0 LB
EPOXY REINF.	0 LB

- NOTES**
- BEFORE POURING THE APPROACH SLAB, PROVIDE A 2' DEEP BASE OF GRANULAR MATERIAL COMPACTED TO MEET CLASS "A" COMPACTION REQUIREMENTS.
  - PLACE LONGITUDINAL REINFORCEMENT PARALLEL TO THE CENTERLINE OF THE ROADWAY. FOR SKEWS LESS THAN 20°, PLACE THE TRANSVERSE REINFORCEMENT PARALLEL TO THE ABUTMENT. FOR SKEWS GREATER THAN 20°, PLACE THE TRANSVERSE REINFORCEMENT PERPENDICULAR TO THE CENTERLINE OF THE ROADWAY.
  - ALL REINFORCEMENT SHALL BE AASHTO M31 (ASTM A615) GRADE 60. THE TOP MAT OF BOTH TRANSVERSE AND LONGITUDINAL REINFORCEMENT SHALL BE EPOXY COATED. ALL BEND DETAILS TO BE ACCORDING TO THE LATEST A.C.I. STANDARD PRACTICE AND AASHTO SPECIFICATIONS.
  - APPROACH SLAB CONCRETE SHALL BE CLASS 40A.
  - SILICONE JOINT SEAL SHALL BE DOW CORNING 902, WATSON BOWMAN SILICONE SEALANT, OR APPROVED EQUAL. THE JOINT SHALL BE INSTALLED IN ACCORDANCE WITH THE MANUFACTURER'S SPECIFICATIONS.
  - PLACE POLYETHYLENE BOND BREAKER OR FILTER FABRIC BETWEEN APPROACH SLAB AND SUBGRADE.
  - APPROACH SLAB WILL BE MEASURED BY THE SQUARE YARD, COMPLETE IN PLACE AND WILL BE PAID FOR UNDER THE BID ITEM 502-435A.



REVISIONS				DESIGNED	SCALES SHOWN	ORIGINAL SIGNED BY:	IDaho TRANSPORTATION DEPARTMENT	English	PROJECT NO.	APPROACH SLAB DETAILS - CONCRETE PAVEMENT	BRIDGE PLANS	
NO.	DATE	BY	DESCRIPTION	DESIGN CHECKED	ARE FOR 34" X 22" PRINTS ONLY						COUNTY	KEY NO.
△					CADD FILE NO.		IDaho TRANSPORTATION DEPARTMENT	English	PROJECT NO.	APPROACH SLAB DETAILS - CONCRETE PAVEMENT	BRIDGE LRFD MANUAL, PAGE B2.1H	
△					X:\cadd\std_dgns\b02_1h.dgn						COUNTY	KEY NO.
△					DRAWING DATE:	DATE SIGNED: DATE					BRIDGE DRAWING NO.	SHEET
△					CORRECTIONS	INTERNAL STORED AT: ITO-BRIDGE-SECTION						OF