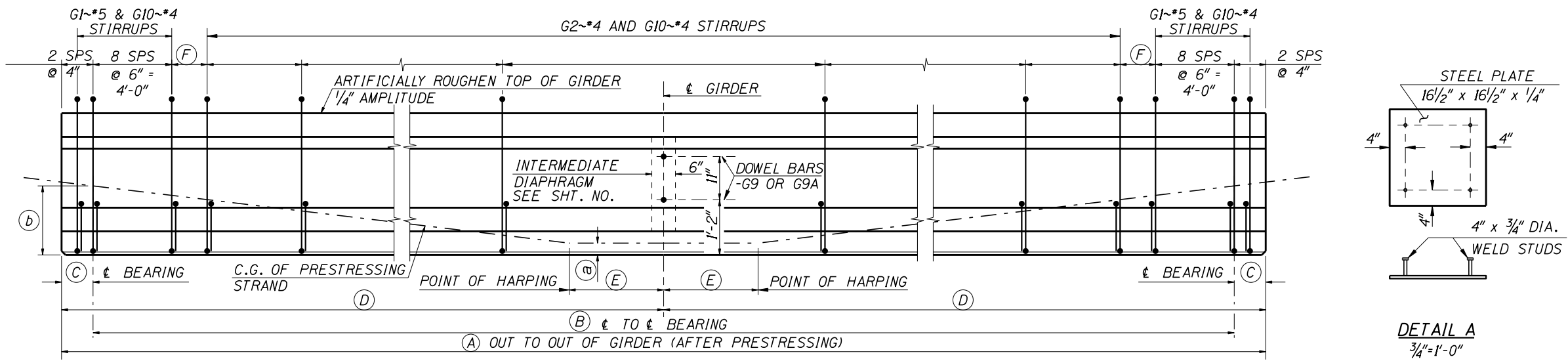


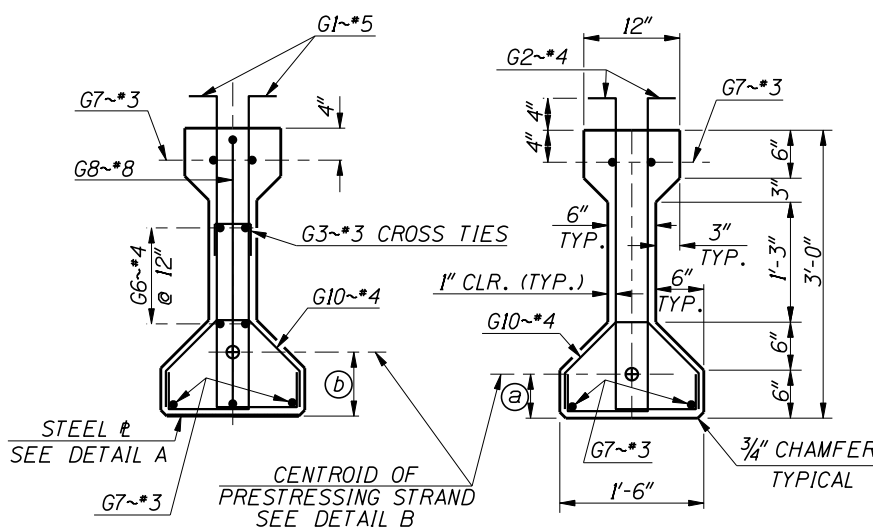
PRESTRESSED GIRDER SCHEDULE

GIRDERS		PRESTRESS FORCE ~ KIPS		CONCRETE STRENGTH ~ PSI		GIRDER DIMENSIONS						END DETAIL C.G. OF STRAND					
NO.	LOCATION	FINAL AFTER LOSSES	INITIAL BEFORE LOSSES	AT RELEASE f'ci	AT 28 DAYS f'c	(A)	(B)	(C)		(D)		(E)	(F)	LEFT	RIGHT	(b) BRG.	(a) MID SPAN
								LEFT	RIGHT	LEFT	RIGHT						

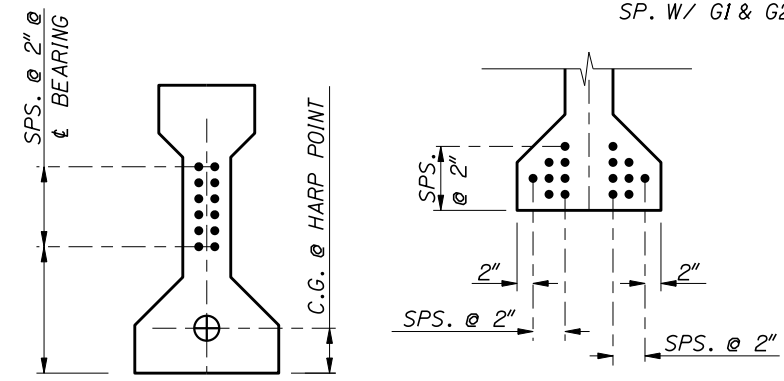
REINFORCEMENT DIAGRAM			
MARK	SIZE	GRADE	SKETCH
* G1	*5	60	
* G2	*4	60	
* G3	*3	60	
G4	*5	60	
G4A	*5	60	
G5	*6	60	
G5A	*6	60	
G6	*4	60	
G7	*3	60	
G8	*8	60	
G9	*4	60	
G9A	*4	60	
* G10	*4	60	



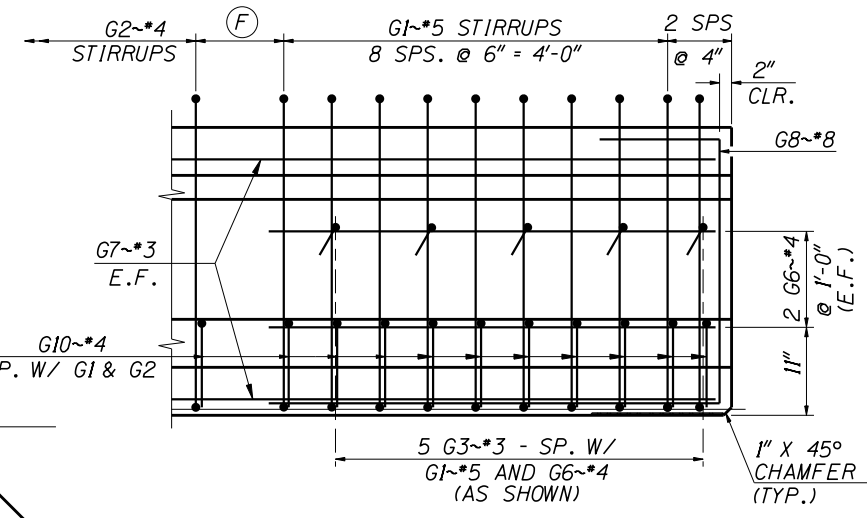
GIRDER ELEVATION AND STIRRUP LAYOUT
NOT TO SCALE



SECTION AT BEARING 1"=1'-0"
SECTION AT SPAN 1"=1'-0"



HARP STRAND
STRAIGHT STRAND
DETAIL B
N.T.S.



END REINFORCEMENT DETAIL
1"=1'-0"

NOTES

ALL DIMENSIONS TO STIRRUPS AND DOWEL BARS ARE GIVEN AT ϵ OF GIRDER.

SEE PRESTRESSED AASHTO GIRDER DETAILS SHEET FOR NOTES, DIAPHRAGM DOWEL DETAILS, END DETAILS AND DEFLECTION DATA.

ALL BEND DETAILS TO BE ACCORDING TO LATEST ACI STANDARD PRACTICE.

* STIRRUP AND TIE HOOK BEND DIMENSIONS. STIRRUPS AND TIES SHALL HAVE A MINIMUM 1" COVER OUTSIDE OF BARS.

GIRDER WEIGHT _____ 384 LBS. PER FOOT

REVISIONS			
NO.	DATE	BY	DESCRIPTION

DESIGNED	SCALES SHOWN ARE FOR 34" X 22" PRINTS ONLY CADD FILE NO. 1s0421wfd b05_2a.dgn DRAWING DATE: JULY 2009
DESIGN CHECKED	
DETAILED	
DWG. CHECKED	
CORRECTIONS	

DATE: _____

IDAHO TRANSPORTATION DEPARTMENT

English

PROJECT NO.

0000

AASHTO TYPE II PRESTRESSED GIRDER

PROJECT LOCATION
STA

BRIDGE PLANS	
BRIDGE LRFD MANUAL PAGE B5.2A	
COUNTY ABC	KEY NO. 0000
BRIDGE DRAWING NO. 00000	SHEET 0 OF 0