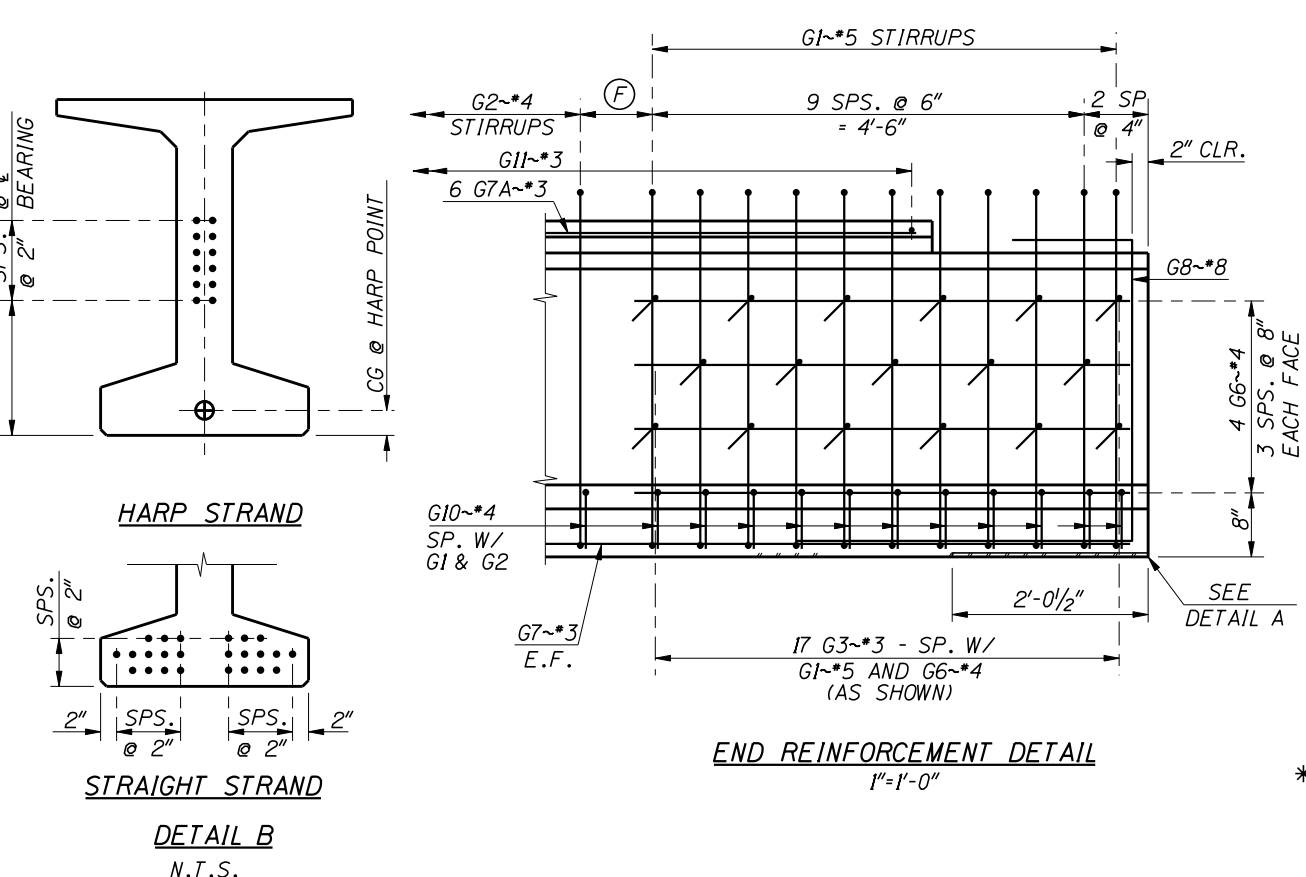
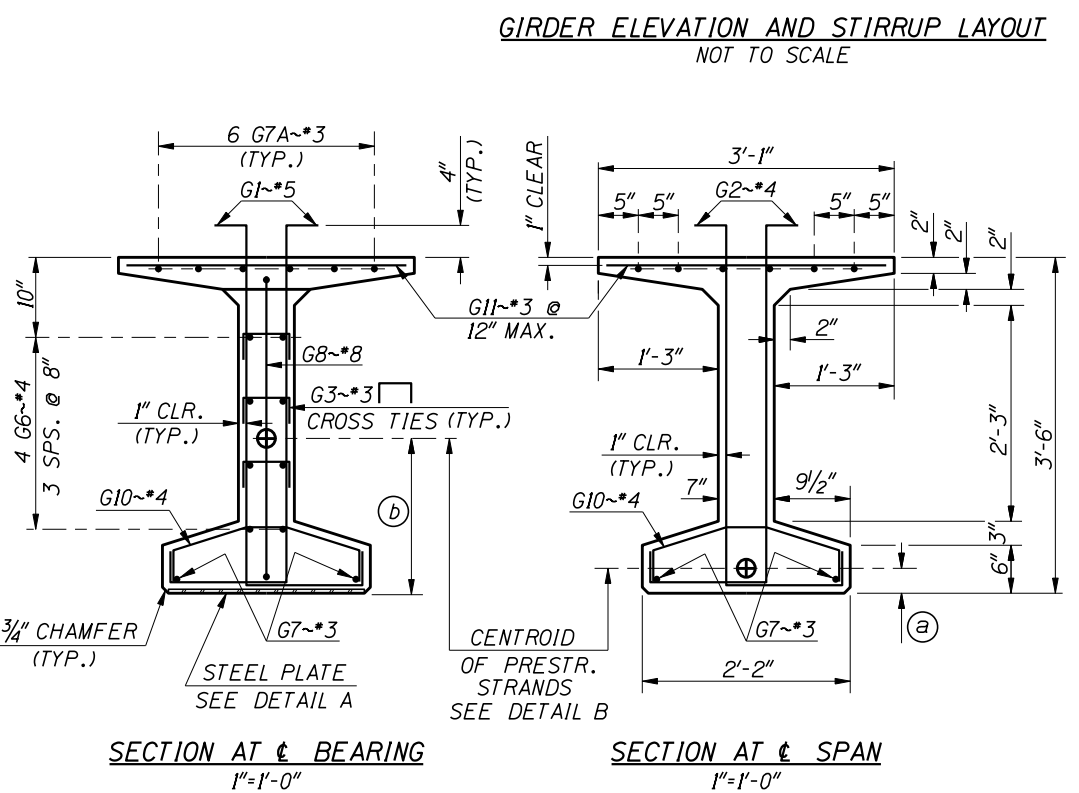
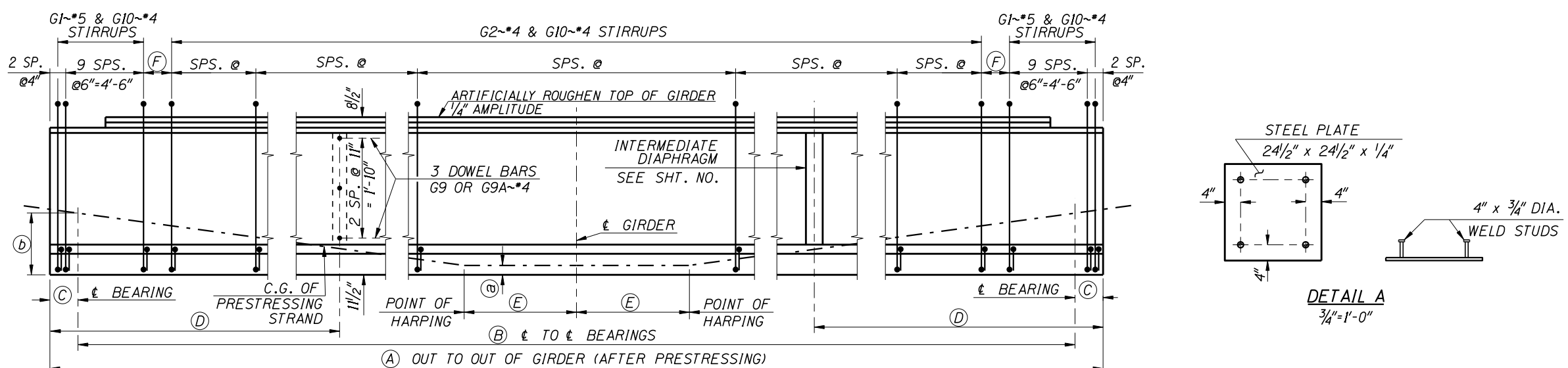


# PRESTRESSED GIRDER SCHEDULE

GIRDERS		PRESTRESS FORCE ~ KIPS		CONCRETE STRENGTH ~ PSI		GIRDER DIMENSIONS						END DETAIL		C.G. OF STRAND			
NO.	LOCATION	FINAL AFTER LOSSES	INITIAL BEFORE LOSSES	AT RELEASE $f'ci$	AT 28 DAYS $f'c$	(A)	(B)	(C)		(D)		(E)	(F)	LEFT	RIGHT	(b) ¢ BRG.	(a) MID SPAN
								LEFT	RIGHT	LEFT	RIGHT						

REINFORCEMENT DIAGRAM			
MARK	SIZE	GRADE	SKETCH
* G1	*5	60	
* G2	*4	60	
* G3	*3	60	
G4	*5	60	
G4A	*5	60	
G5	*6	60	
G5A	*6	60	
G6	*4	60	
G7	*3	60	
G7A	*3	60	
G8	*8	60	
G9	*4	60	
G9A	*4	60	
* G10	*4	60	
G11	*3	60	



**NOTES**

ALL DIMENSIONS TO STIRRUPS AND DOWEL BARS ARE GIVEN AT ¢ OF GIRDER.

SEE PRESTRESSED BULB TEE GIRDER DETAILS SHEET FOR NOTES, DIAPHRAGM DOWEL DETAILS, END DETAILS AND DEFLECTION DATA.

ALL BEND DETAILS TO BE ACCORDING TO LATEST ACI STANDARD PRACTICE.

\* STIRRUP AND TIE HOOK BEND DIMENSIONS. STIRRUPS AND TIES SHALL HAVE A MINIMUM 1" COVER OUTSIDE OF BARS.

GIRDER WEIGHT \_\_\_\_\_ 556 LBS. PER FOOT

REVISIONS			
NO.	DATE	BY	DESCRIPTION

DESIGNED	SCALES SHOWN ARE FOR 34" X 22" PRINTS ONLY
DESIGN CHECKED	CADD FILE NO. 1s0421r1d1
DETAILED	b05_3b.dgn
DWG. CHECKED	DRAWING DATE: JULY 2009
CORRECTIONS	DATE: _____

**IDAHO TRANSPORTATION DEPARTMENT**

English

PROJECT NO. 0000

42" BULB TEE PRESTRESSED GIRDER

PROJECT LOCATION STA

BRIDGE PLANS	
BRIDGE LRFD MANUAL, PAGE B5.3B	
COUNTY ABC	KEY NO. 0000
BRIDGE DRAWING NO. 0000	SHEET 0 OF 0