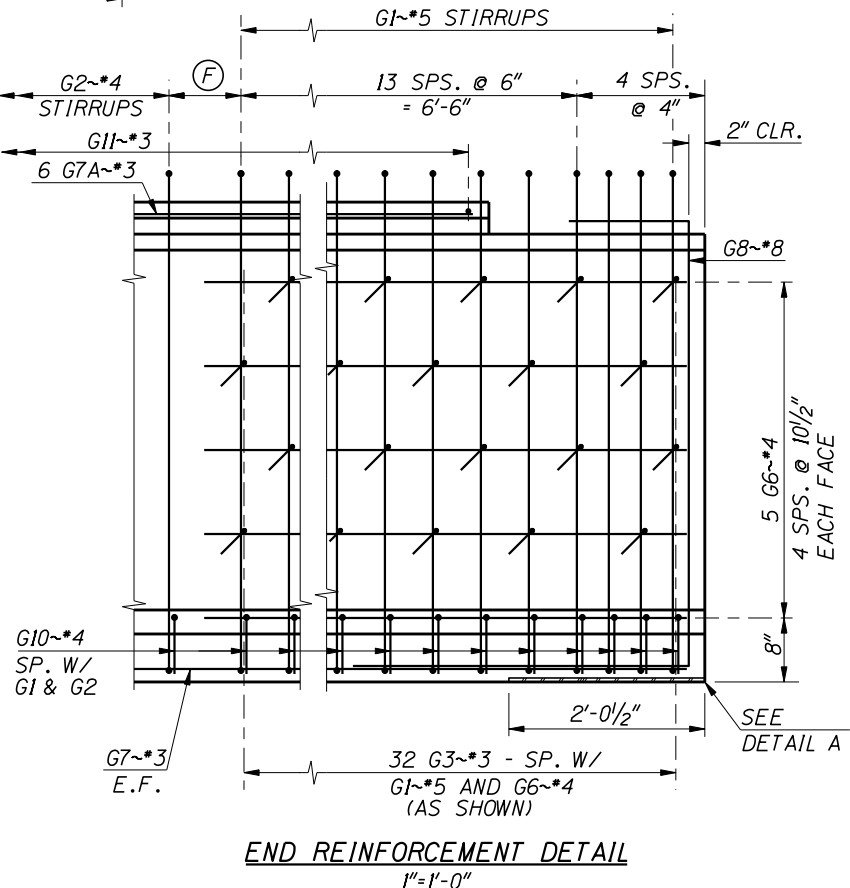
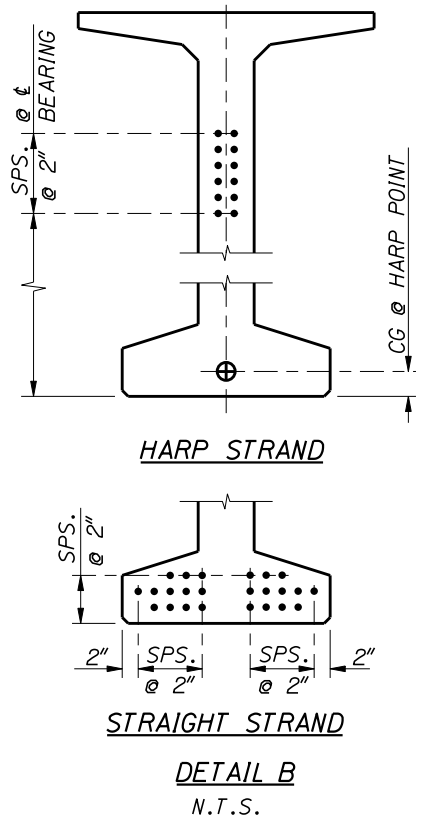
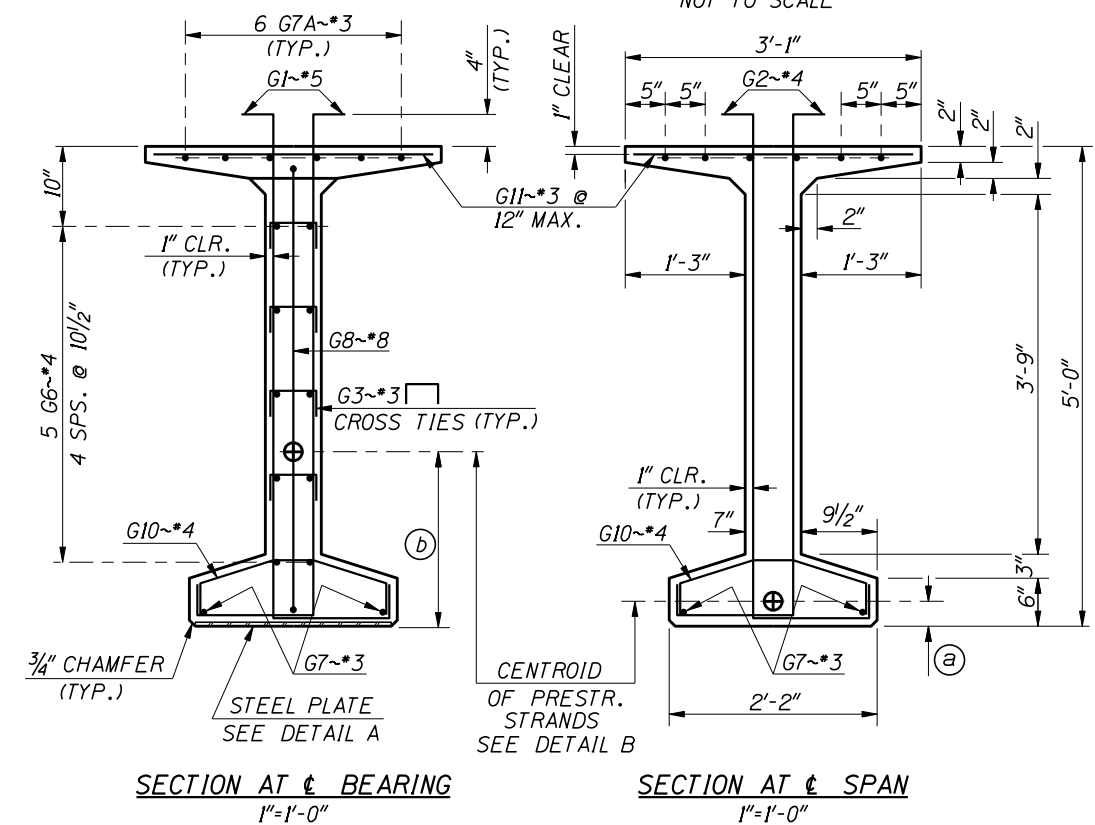
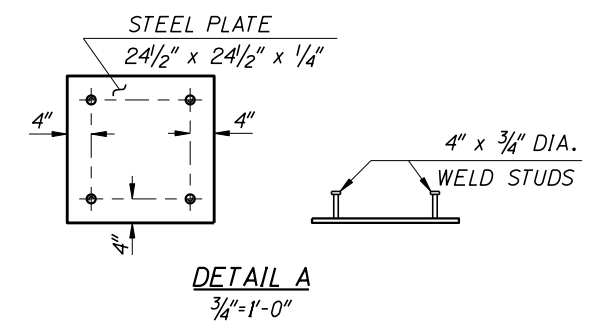
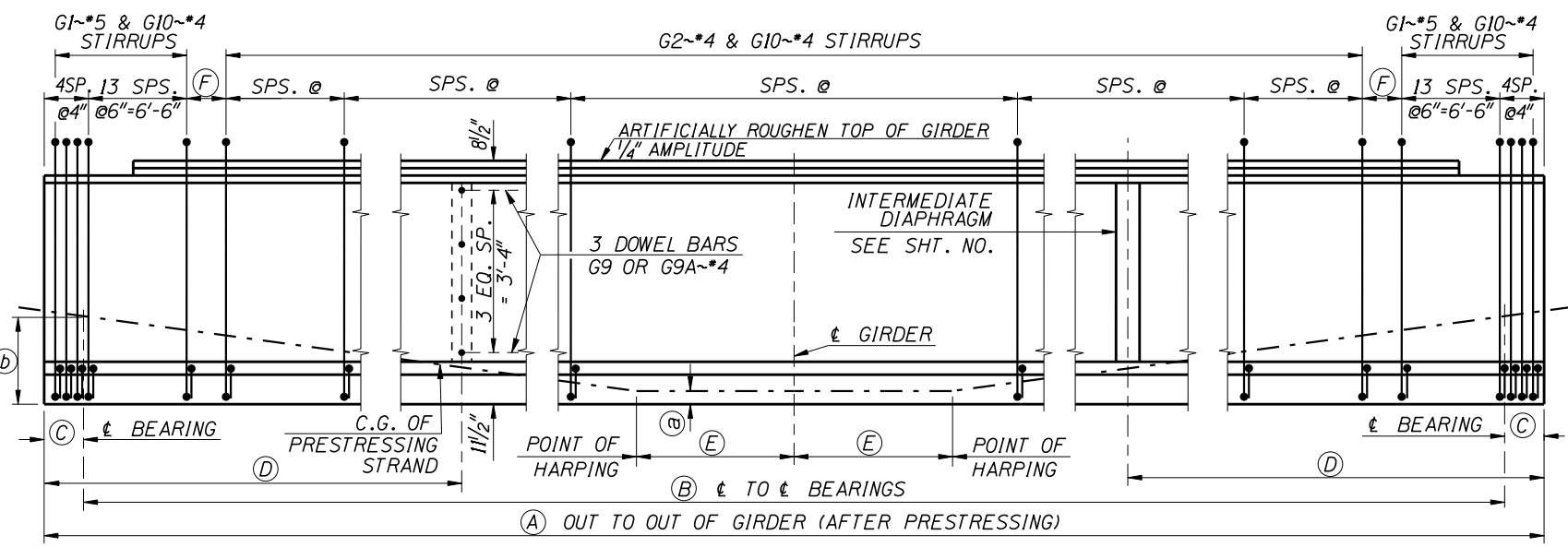


# PRESTRESSED GIRDER SCHEDULE

GIRDERS		PRESTRESS FORCE ~ KIPS		CONCRETE STRENGTH ~ PSI		GIRDER DIMENSIONS						END DETAIL		C.G. OF STRAND			
NO.	LOCATION	FINAL AFTER LOSSES	INITIAL BEFORE LOSSES	AT RELEASE f'ci	AT 28 DAYS f'c	A	B	C		D		E	F	LEFT	RIGHT	b ± BRG.	a MID SPAN
								LEFT	RIGHT	LEFT	RIGHT						

REINFORCEMENT DIAGRAM			
MARK	SIZE	GRADE	SKETCH
* G1	*5	60	
* G2	*4	60	
* G3	*3	60	
G4	*5	60	
G4A	*5	60	
G5	*6	60	
G5A	*6	60	
G6	*4	60	
G7	*3	60	
G7A	*3	60	
G8	*8	60	
G9	*4	60	
G9A	*4	60	
* G10	*4	60	
G11	*3	60	



**NOTES**

ALL DIMENSIONS TO STIRRUPS AND DOWEL BARS ARE GIVEN AT ± OF GIRDER.

SEE PRESTRESSED BULB TEE GIRDER DETAILS SHEET FOR NOTES, DIAPHRAGM DOWEL DETAILS, END DETAILS AND DEFLECTION DATA.

ALL BEND DETAILS TO BE ACCORDING TO LATEST ACI STANDARD PRACTICE.

\* STIRRUP AND TIE HOOK BEND DIMENSIONS. STIRRUPS AND TIES SHALL HAVE A MINIMUM 1" COVER OUTSIDE OF BARS.

GIRDER WEIGHT \_\_\_\_\_ 687 LBS. PER FOOT

REVISIONS			
NO.	DATE	BY	DESCRIPTION

DESIGNED	SCALES SHOWN ARE FOR 34" X 22" PRINTS ONLY CADD FILE NO. 1s0421r1d1 b05_3e.dgn DRAWING DATE: JULY 2009
DESIGN CHECKED	
DETAILED	
DWG. CHECKED	
CORRECTIONS	

DATE: _____
-------------

**IDAHO TRANSPORTATION DEPARTMENT**

English

PROJECT NO.  
  
0000

60" BULB TEE PRESTRESSED GIRDER

PROJECT LOCATION  
STA

BRIDGE PLANS	
BRIDGE LRFD MANUAL, PAGE B5.3E	
COUNTY <b>ABC</b>	KEY NO. <b>0000</b>
BRIDGE DRAWING NO. <b>00000</b>	SHEET <b>0</b> OF <b>0</b>