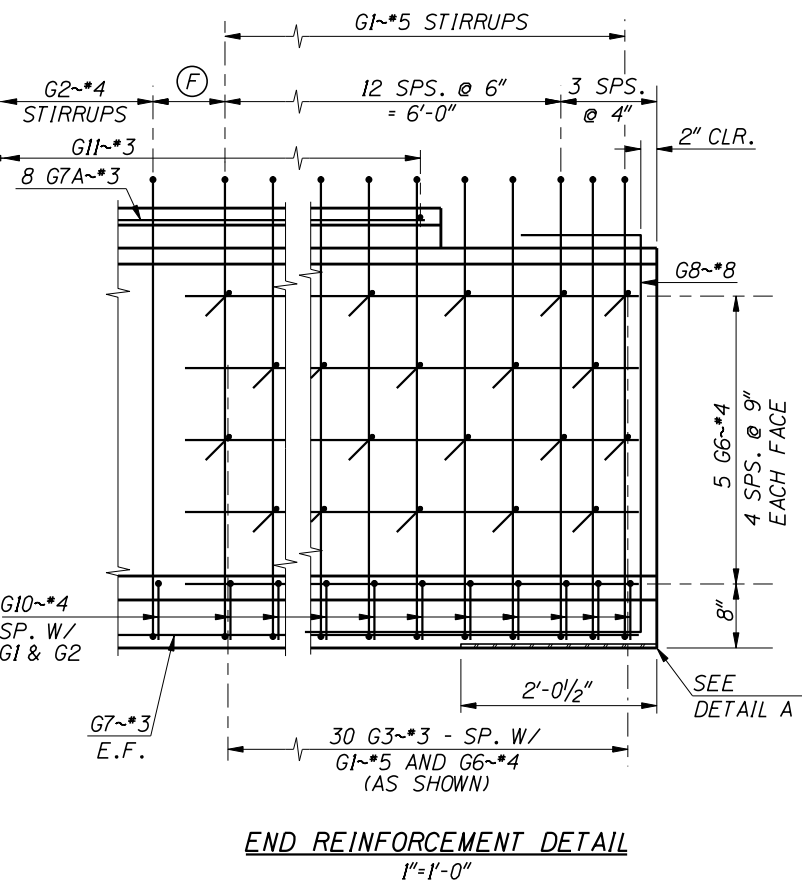
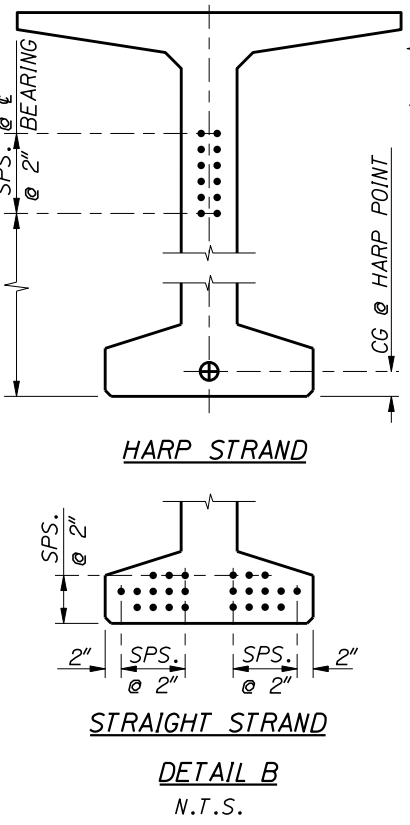
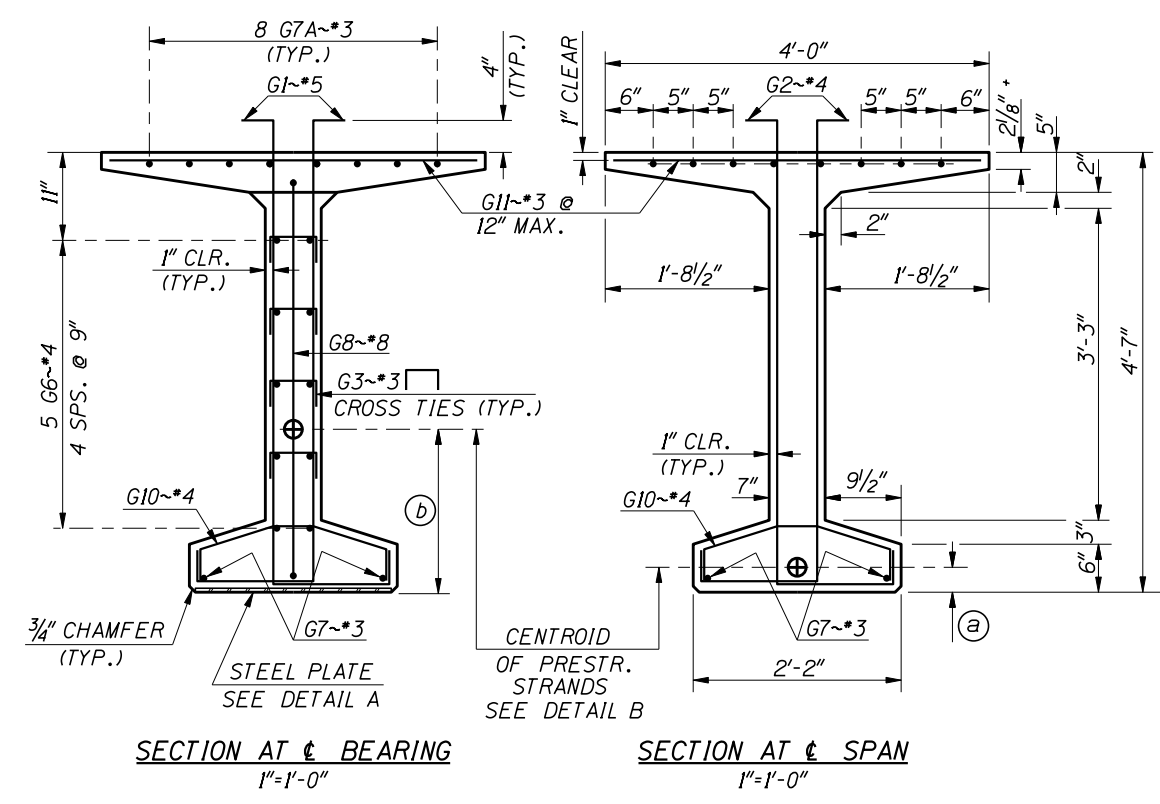
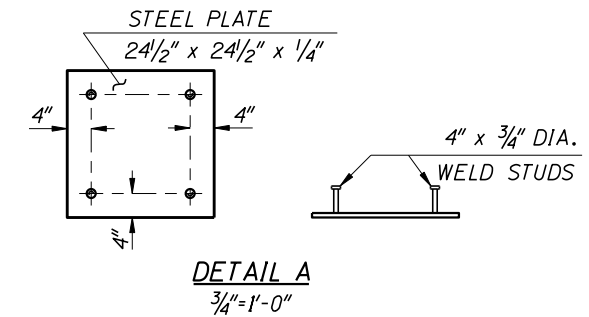
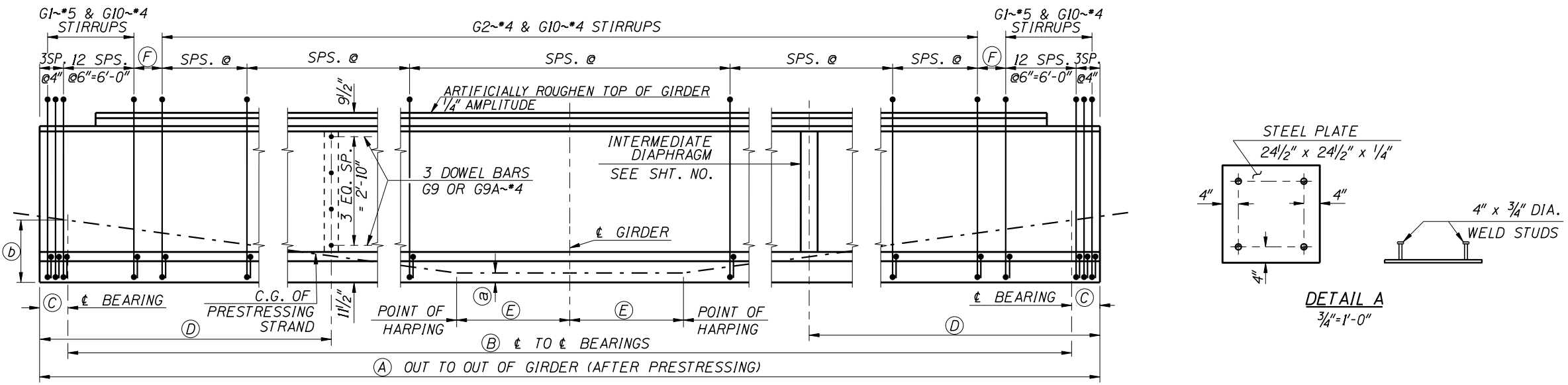


# PRESTRESSED GIRDER SCHEDULE

| GIRDERS |          | PRESTRESS FORCE ~ KIPS |                       | CONCRETE STRENGTH ~ PSI |                  | GIRDER DIMENSIONS |     |      |       |      |       | END DETAIL |     | C.G. OF STRAND |       |               |                 |
|---------|----------|------------------------|-----------------------|-------------------------|------------------|-------------------|-----|------|-------|------|-------|------------|-----|----------------|-------|---------------|-----------------|
| NO.     | LOCATION | FINAL AFTER LOSSES     | INITIAL BEFORE LOSSES | AT RELEASE $f'ci$       | AT 28 DAYS $f'c$ | (A)               | (B) | (C)  |       | (D)  |       | (E)        | (F) | LEFT           | RIGHT | (b)<br>¢ BRG. | (a)<br>MID SPAN |
|         |          |                        |                       |                         |                  |                   |     | LEFT | RIGHT | LEFT | RIGHT |            |     |                |       |               |                 |
|         |          |                        |                       |                         |                  |                   |     |      |       |      |       |            |     |                |       |               |                 |
|         |          |                        |                       |                         |                  |                   |     |      |       |      |       |            |     |                |       |               |                 |
|         |          |                        |                       |                         |                  |                   |     |      |       |      |       |            |     |                |       |               |                 |
|         |          |                        |                       |                         |                  |                   |     |      |       |      |       |            |     |                |       |               |                 |

| REINFORCEMENT DIAGRAM |      |       |        |
|-----------------------|------|-------|--------|
| MARK                  | SIZE | GRADE | SKETCH |
| * G1                  | *5   | 60    |        |
| * G2                  | *4   | 60    |        |
| * G3                  | *3   | 60    |        |
| G4                    | *5   | 60    |        |
| G4A                   | *5   | 60    |        |
| G5                    | *6   | 60    |        |
| G5A                   | *6   | 60    |        |
| G6                    | *4   | 60    |        |
| G7                    | *3   | 60    |        |
| G7A                   | *3   | 60    |        |
| G8                    | *8   | 60    |        |
| G9                    | *4   | 60    |        |
| G9A                   | *4   | 60    |        |
| * G10                 | *4   | 60    |        |
| G11                   | *3   | 60    |        |



**NOTES**

ALL DIMENSIONS TO STIRRUPS AND DOWEL BARS ARE GIVEN AT ¢ OF GIRDER.

SEE PRESTRESSED BULB TEE GIRDER DETAILS SHEET FOR NOTES, DIAPHRAGM DOWEL DETAILS, END DETAILS AND DEFLECTION DATA.

ALL BEND DETAILS TO BE ACCORDING TO LATEST ACI STANDARD PRACTICE.

\* STIRRUP AND TIE HOOK BEND DIMENSIONS. STIRRUPS AND TIES SHALL HAVE A MINIMUM 1" COVER OUTSIDE OF BARS.

GIRDER WEIGHT \_\_\_\_\_ 712 LBS. PER FOOT

| REVISIONS |      |    |             |
|-----------|------|----|-------------|
| NO.       | DATE | BY | DESCRIPTION |
|           |      |    |             |
|           |      |    |             |
|           |      |    |             |
|           |      |    |             |

|                |   |
|----------------|---|
| DESIGNED       | SCALES SHOWN ARE FOR 34" X 22" PRINTS ONLY<br>CADD FILE NO.<br>1s0421r1d1<br>b05_3j.dgn<br>DRAWING DATE:<br>JULY 2009 |
| DESIGN CHECKED |   |
| DETAILED       |   |
| DWG. CHECKED   |   |
| CORRECTIONS    |   |

|             |
|-------------|
| DATE: _____ |
|-------------|

**IDAHO TRANSPORTATION DEPARTMENT**

English

PROJECT NO.  
  
0000

**55" BULB TEE PRESTRESSED GIRDER**  
  
 PROJECT LOCATION  
 STA

|                                   |                               |
|-----------------------------------|-------------------------------|
| BRIDGE PLANS                      |                               |
| BRIDGE LRFD MANUAL, PAGE B5.3J    |                               |
| COUNTY<br><b>ABC</b>              | KEY NO.<br><b>0000</b>        |
| BRIDGE DRAWING NO.<br><b>0000</b> | SHEET<br><b>0</b> OF <b>0</b> |