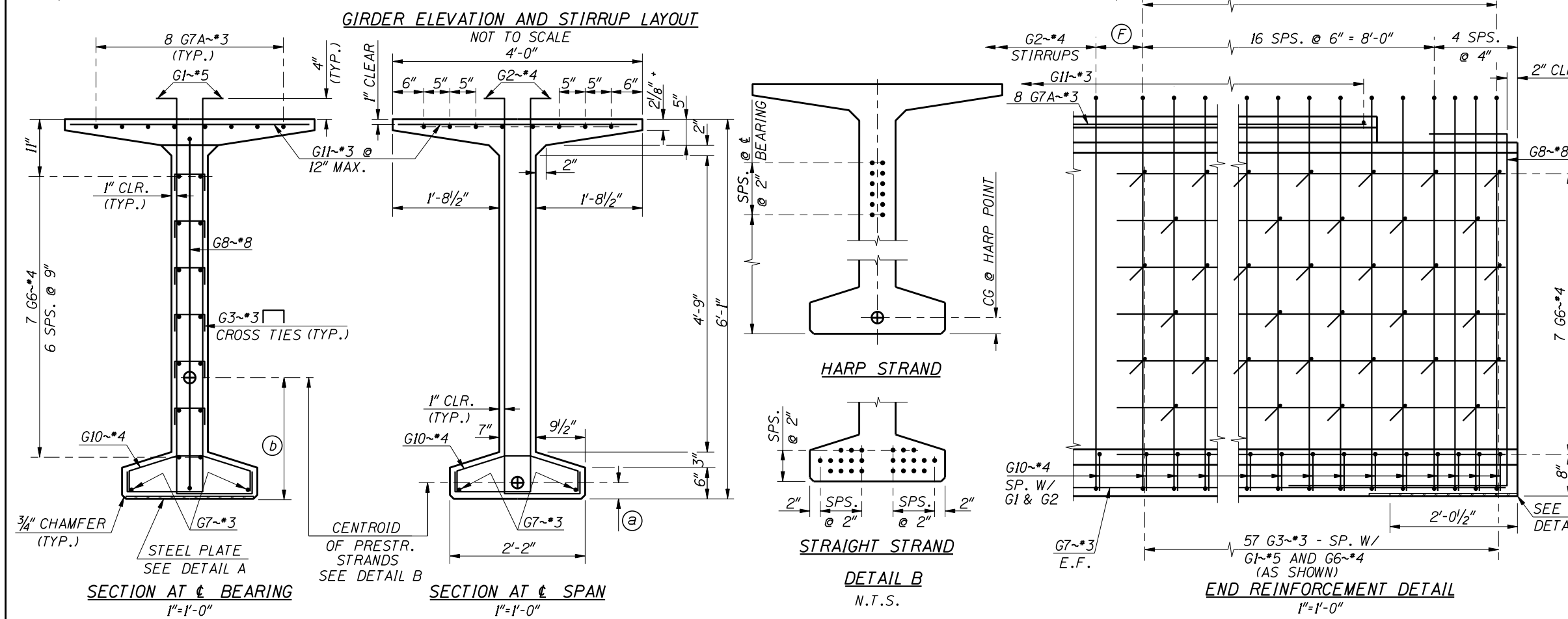
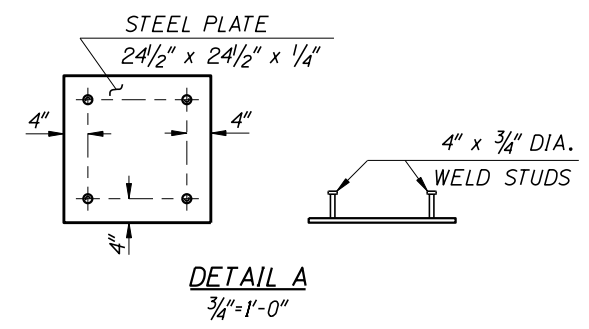
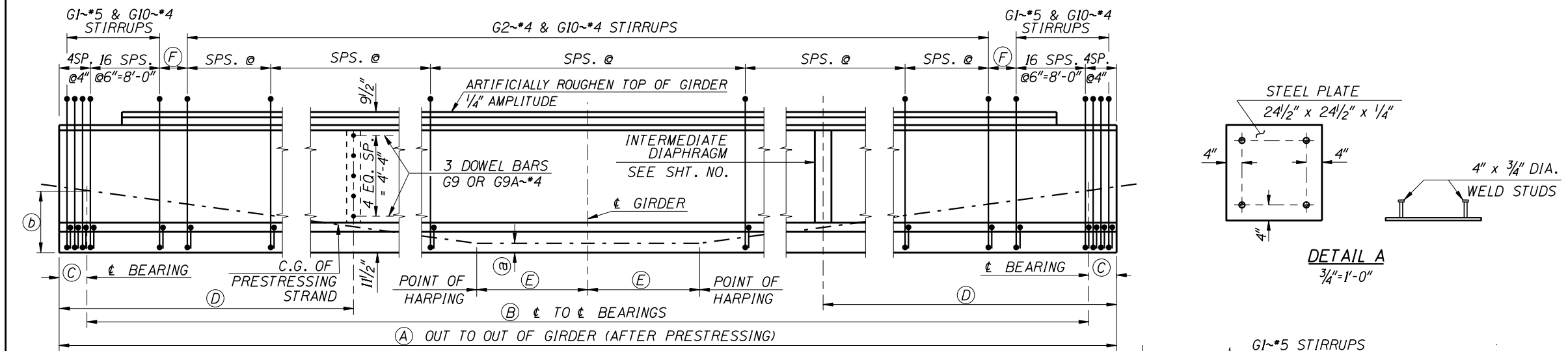


PRESTRESSED GIRDER SCHEDULE

GIRDERS		PRESTRESS FORCE ~ KIPS		CONCRETE STRENGTH ~ PSI		GIRDER DIMENSIONS						END DETAIL		C.G. OF STRAND			
NO.	LOCATION	FINAL AFTER LOSSES	INITIAL BEFORE LOSSES	AT RELEASE f'ci	AT 28 DAYS f'c	A	B	C		D		E	F	LEFT	RIGHT	b ± BRG.	a MID SPAN
								LEFT	RIGHT	LEFT	RIGHT						

REINFORCEMENT DIAGRAM			
MARK	SIZE	GRADE	SKETCH
* G1	*5	60	
* G2	*4	60	
* G3	*3	60	
G4	*5	60	
G4A	*5	60	
G5	*6	60	
G5A	*6	60	
G6	*4	60	
G7	*3	60	
G7A	*3	60	
G8	*8	60	
G9	*4	60	
G9A	*4	60	
* G10	*4	60	
G11	*3	60	



NOTES

ALL DIMENSIONS TO STIRRUPS AND DOWEL BARS ARE GIVEN AT ± OF GIRDER.

SEE PRESTRESSED BULB TEE GIRDER DETAILS SHEET FOR NOTES, DIAPHRAGM DOWEL DETAILS, END DETAILS AND DEFLECTION DATA.

ALL BEND DETAILS TO BE ACCORDING TO LATEST ACI STANDARD PRACTICE.

* STIRRUP AND TIE HOOK BEND DIMENSIONS. STIRRUPS AND TIES SHALL HAVE A MINIMUM 1" COVER OUTSIDE OF BARS.

GIRDER WEIGHT _____ 843 LBS. PER FOOT

REVISIONS			
NO.	DATE	BY	DESCRIPTION

DESIGNED	SCALES SHOWN ARE FOR 34" X 22" PRINTS ONLY
DESIGN CHECKED	CADD FILE NO. 1s0421r1d1
DETAILED	b05_3m.dgn
DWG. CHECKED	DRAWING DATE: JULY 2009
CORRECTIONS	DATE: _____

IDAHO TRANSPORTATION DEPARTMENT

English

PROJECT NO. 0000

73" BULB TEE PRESTRESSED GIRDER

PROJECT LOCATION STA

BRIDGE PLANS	
BRIDGE LRFD MANUAL, PAGE B5.3M	
COUNTY ABC	KEY NO. 0000
BRIDGE DRAWING NO. 00000	SHEET 0 OF 0