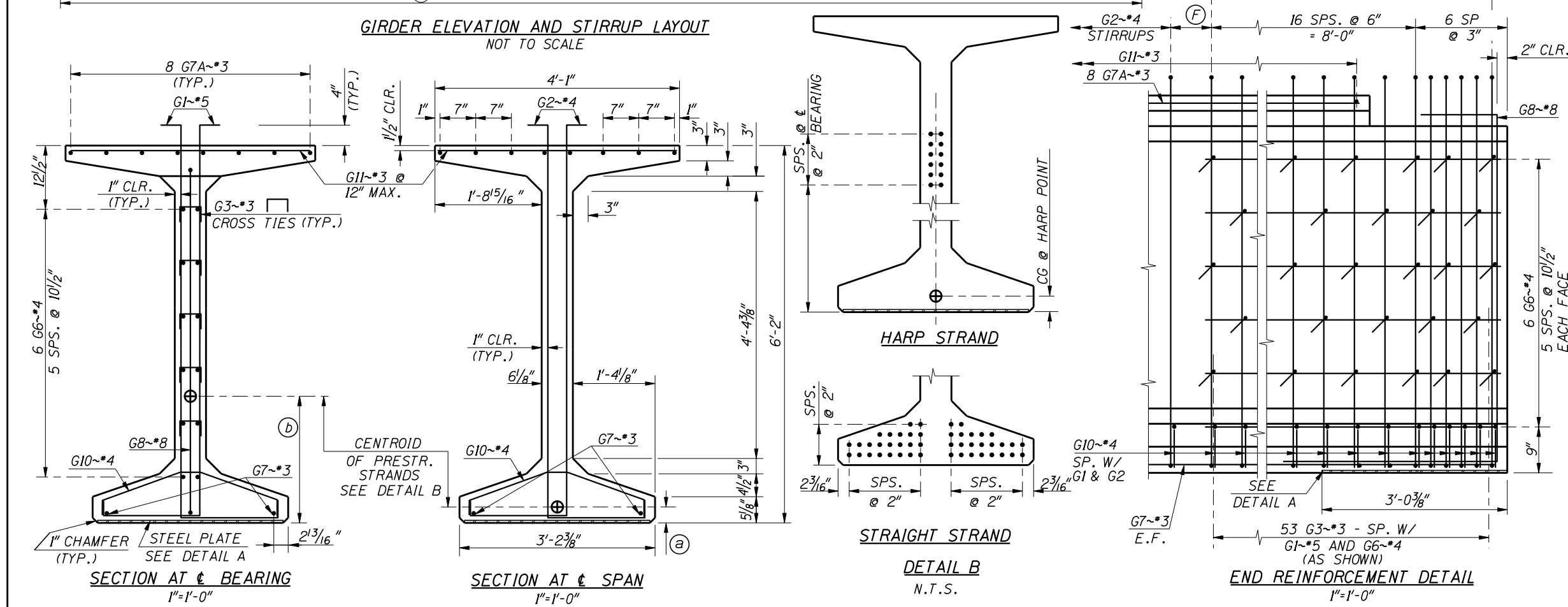
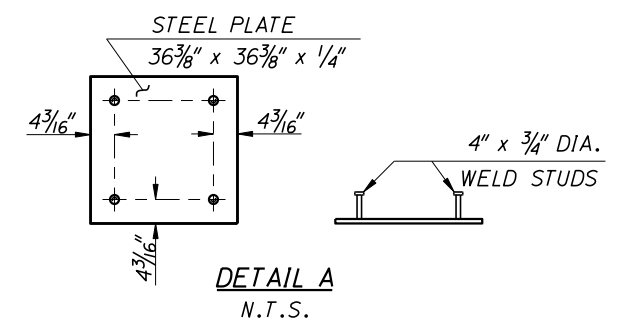
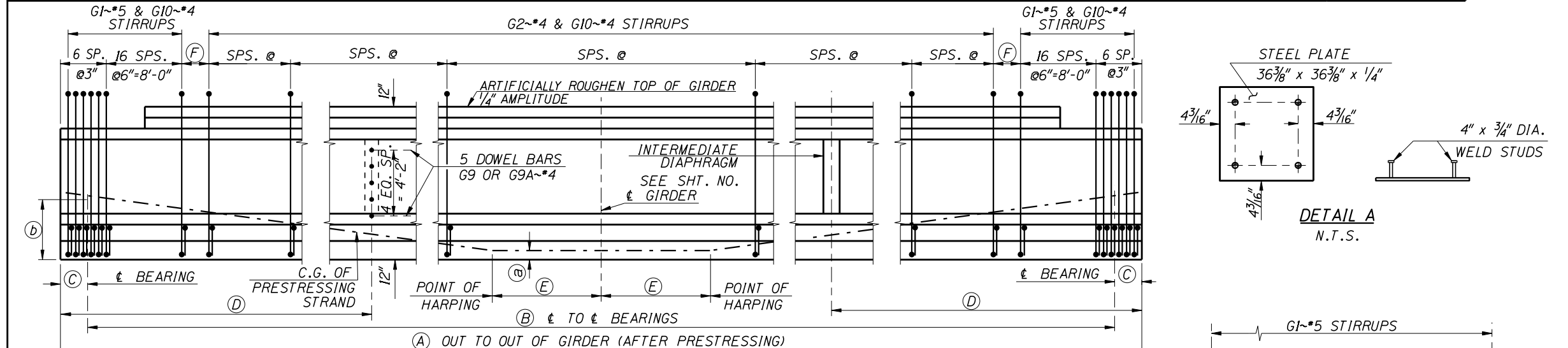


PRESTRESSED GIRDER SCHEDULE

| GIRDERS | | PRESTRESS FORCE ~ KIPS | | CONCRETE STRENGTH ~ PSI | | GIRDER DIMENSIONS | | | | | | END DETAIL | | C.G. OF STRAND | | | |
|---------|----------|------------------------|-----------------------|-------------------------|-------------------|-------------------|---|------|-------|------|-------|------------|---|----------------|-------|-------------|---------------|
| NO. | LOCATION | FINAL AFTER LOSSES | INITIAL BEFORE LOSSES | AT RELEASE f'_{ci} | AT 28 DAYS f'_c | A | B | C | | D | | E | F | LEFT | RIGHT | b ± BRG. | a MID SPAN |
| | | | | | | | | LEFT | RIGHT | LEFT | RIGHT | | | | | | |
| | | | | | | | | | | | | | | | | | |
| | | | | | | | | | | | | | | | | | |
| | | | | | | | | | | | | | | | | | |
| | | | | | | | | | | | | | | | | | |

| REINFORCEMENT DIAGRAM | | | |
|-----------------------|------|-------|--------|
| MARK | SIZE | GRADE | SKETCH |
| * G1 | *5 | 60 | |
| * G2 | *4 | 60 | |
| * G3 | *3 | 60 | |
| G4 | *5 | 60 | |
| G4A | *5 | 60 | |
| G5 | *6 | 60 | |
| G5A | *6 | 60 | |
| G6 | *4 | 60 | |
| G7 | *3 | 60 | |
| G7A | *3 | 60 | |
| G8 | *8 | 60 | |
| G9 | *4 | 60 | |
| G9A | *4 | 60 | |
| * G10 | *4 | 60 | |
| G11 | *3 | 60 | |



NOTES

ALL DIMENSIONS TO STIRRUPS AND DOWEL BARS ARE GIVEN AT ± OF GIRDER.

SEE PRESTRESSED BULB TEE GIRDER DETAILS SHEET FOR NOTES, DIAPHRAGM DOWEL DETAILS, END DETAILS AND DEFLECTION DATA.

ALL BEND DETAILS TO BE ACCORDING TO LATEST ACI STANDARD PRACTICE.

* STIRRUP AND TIE HOOK BEND DIMENSIONS. STIRRUPS AND TIES SHALL HAVE A MINIMUM 1" COVER OUTSIDE OF BARS.

GIRDER WEIGHT _____ 962 LBS. PER FOOT

| REVISIONS | | | |
|-----------|------|----|-------------|
| NO. | DATE | BY | DESCRIPTION |
| | | | |
| | | | |
| | | | |
| | | | |

| | |
|----------------|--|
| DESIGNED | SCALES SHOWN ARE FOR 34" X 22" PRINTS ONLY |
| DESIGN CHECKED | CADD FILE NO. \brdg_stds\std_shts\lfrfd\b05_3s.dgn |
| DETAILED | DRAWING DATE: JULY 2009 |
| DWG. CHECKED | DATE: _____ |
| CORRECTIONS | |

IDAHO TRANSPORTATION DEPARTMENT

English

PROJECT NO. _____

WF74G PRESTRESSED GIRDER

| BRIDGE PLANS | |
|--------------------------------|----------------------|
| BRIDGE LFRD MANUAL, PAGE B5.3S | |
| COUNTY | KEY NO. |
| BRIDGE DRAWING NO. | SHEET _____ OF _____ |