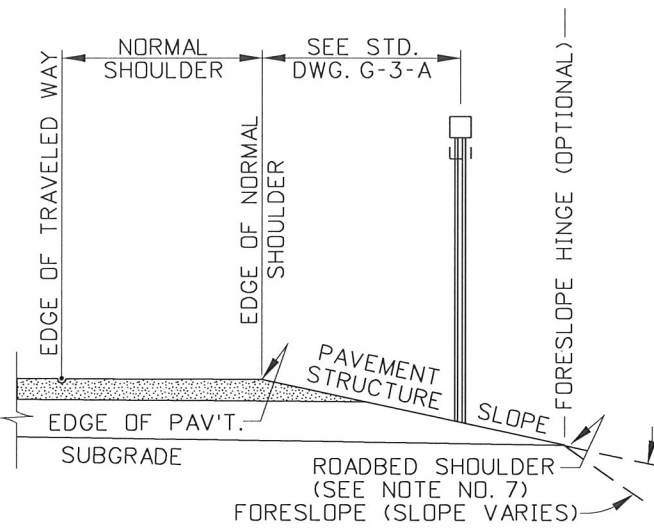
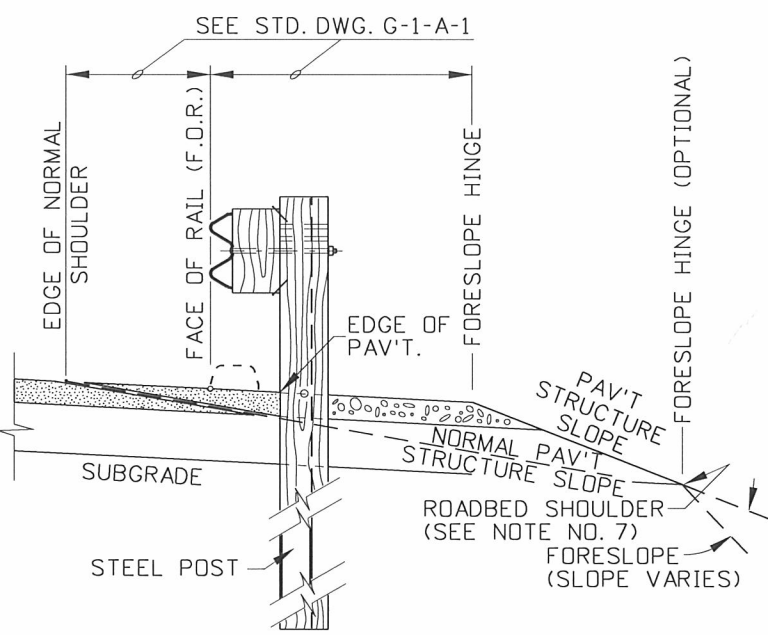


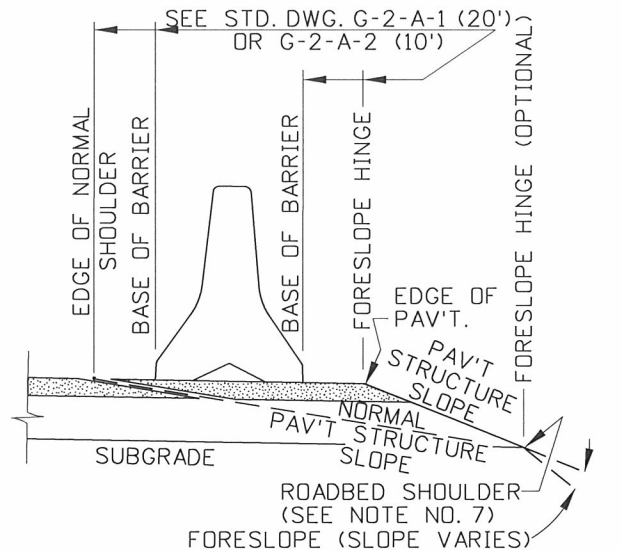
TYPICAL HIGHWAY



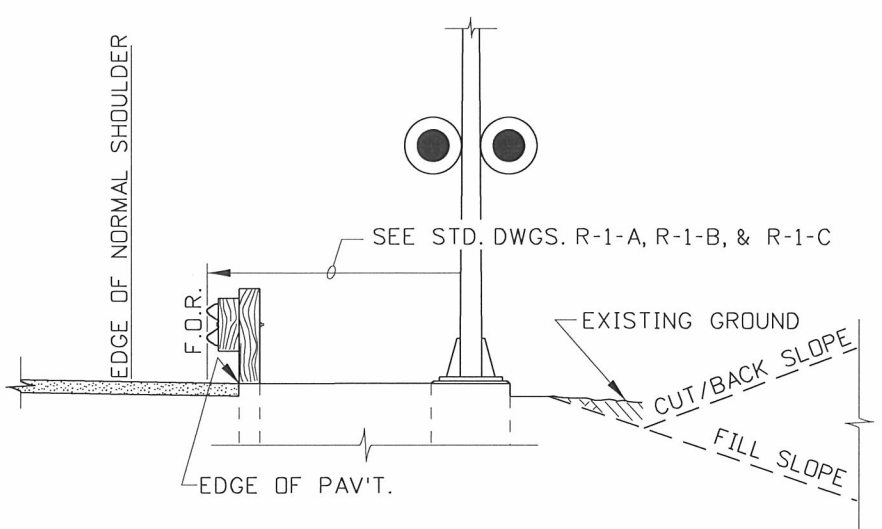
DELINEATOR INSTALLATION



STANDARD W-BEAM INSTALLATION (ASPHALT)



CONCRETE BARRIER INSTALLATION



RAILROAD INSTALLATION WITH GUARDRAIL

| REVISIONS |      |     |     |      |    |     |      |    |  |
|-----------|------|-----|-----|------|----|-----|------|----|--|
| NO.       | DATE | BY  | NO. | DATE | BY | NO. | DATE | BY |  |
| 1         | 4-04 | RL  |     |      |    |     |      |    |  |
| 2         | 6-05 | MSM |     |      |    |     |      |    |  |
| 3         | 9-10 | PLR |     |      |    |     |      |    |  |

SCALES SHOWN ARE FOR 11" X 17" PRINTS ONLY

CADD FILE NAME: a9\_1010.std

DRAWING DATE: JUNE, 2003

**IDAHO TRANSPORTATION DEPARTMENT**

BOISE IDAHO

*[Signature]*

ASSISTANT CHIEF ENGINEER (DEVELOPMENT)

CHIEF ENGINEER

STANDARD DRAWING

**ITD ROADWAY NOMENCLATURE LOCATION & EXAMPLES**

REQUIRES SHEETS 2, 3, & 4

**English**

STANDARD DRAWING NO. **A-9**

SHEET 1 OF 4







