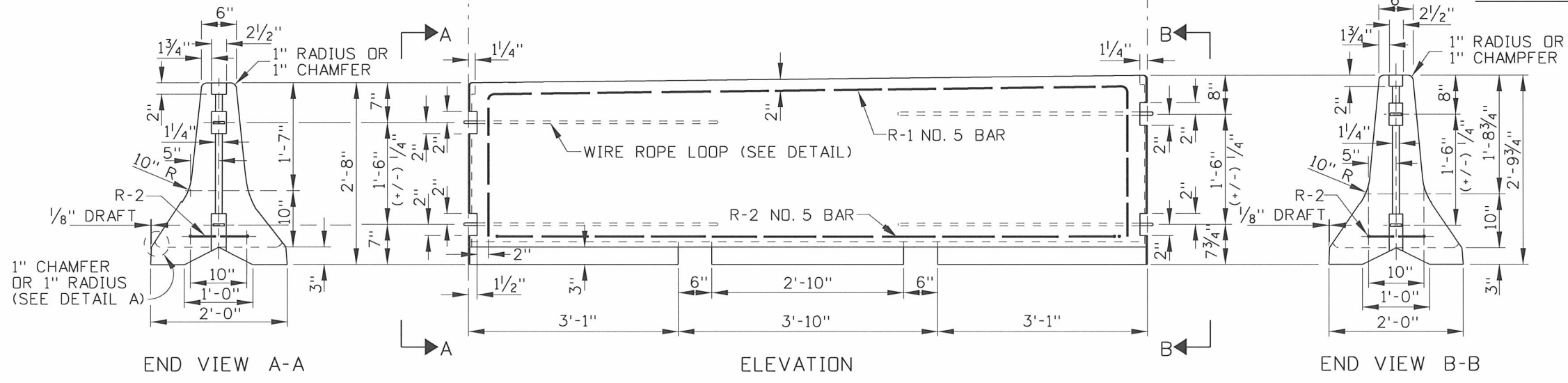


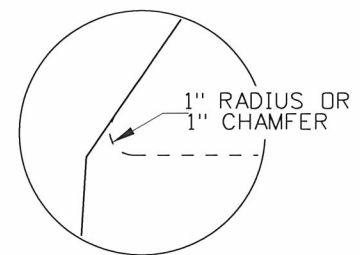
PERSPECTIVE - SHOWING BACK OF CONNECTOR



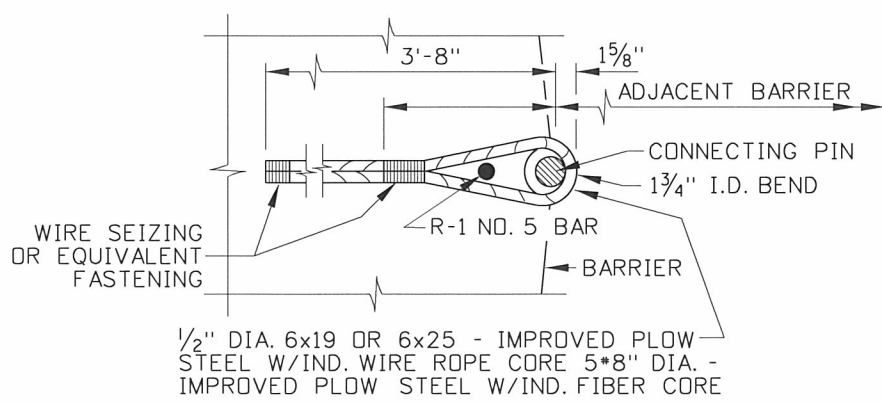
BARRIER DETAILS

NOTES

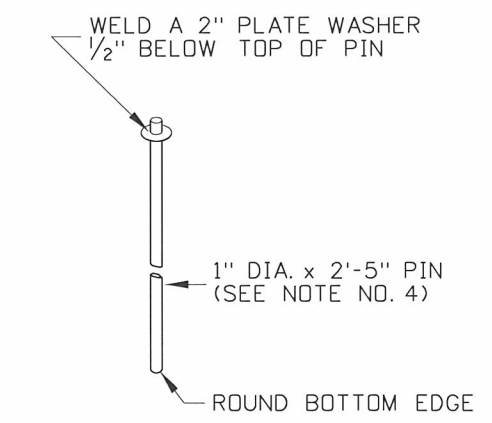
1. THIS DRAWING DEPICTS THE CONCRETE TRANSITION BARRIER AS A LIMITED USE ITEM THAT DOES NOT MEET NCHRP 350 TL-3 REQUIREMENTS AND IS FOR MAINTENANCE PURPOSES ONLY.
2. THE STEEL CONNECTOR PINS SHALL CONFORM TO ASTM A 36 REQUIREMENTS.
3. THE UNIT SHALL BE PRECAST USING CONCRETE CLASS 40B. THE MINIMUM CONCRETE COVER OVER REINFORCEMENT STEEL SHALL BE 2" UNLESS OTHERWISE NOTED.
4. THIS TRANSITION BARRIER IS USED TO TRANSITION FROM OLDER CENTERLINE BRIDGE BARRIER TO CURRENT BARRIER TYPES.
5. NOT TO SCALE.



DETAIL A



WIRE ROPE LOOP DETAIL



CONNECTING PIN

REVISIONS								
NO.	DATE	BY	NO.	DATE	BY	NO.	DATE	BY
1	6-80		6	9-02	MSM			
2	1-82		7	11-04	MSM			
3	5-82		8	2-96	MSM			
4	2-96	MSM	9	9-10	PLR			
5	5-99	MSM						

SCALES SHOWN ARE FOR 11" X 17" PRINTS ONLY
 CADD FILE NAME: g2e_1210.std
 DRAWING DATE: NOVEMBER, 1974

IDAHO TRANSPORTATION DEPARTMENT

BOISE IDAHO

[Signature]
 ASSISTANT CHIEF ENGINEER (DEVELOPMENT)
 CHIEF ENGINEER

STANDARD DRAWING
CONCRETE TRANSITION BARRIER
 REQUIRES STD. DWG. G-2-A

English
 STANDARD DRAWING NO.
G-2-E
 SHEET 1 OF 1