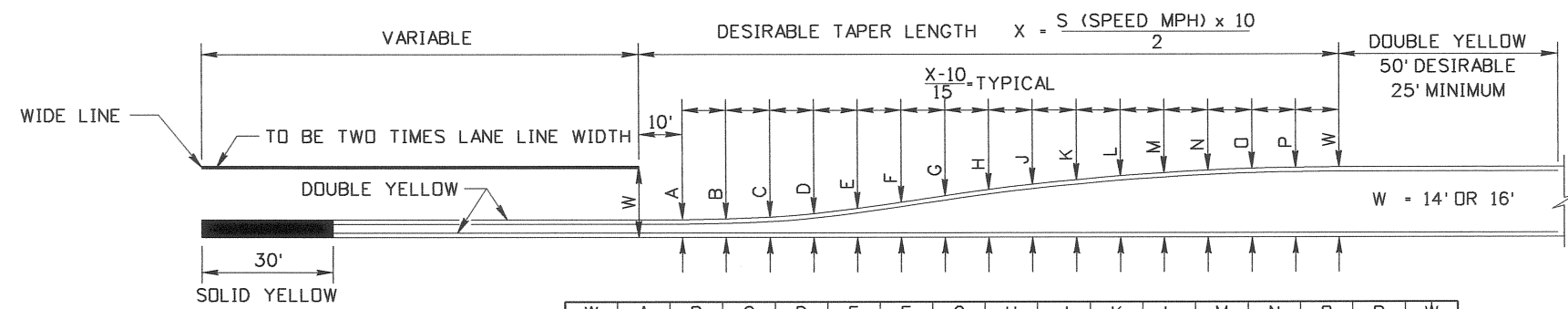


**LINE WIDTHS:**  
 LONGITUDINAL PAVEMENT MARKINGS (LANE LINES) HAVE A NORMAL LINE WIDTH OF 4, 5 OR 6 INCHES. WIDE LINES USED FOR EMPHASIS ARE A MINIMUM OF TWICE AS WIDE AS NORMAL LINES.

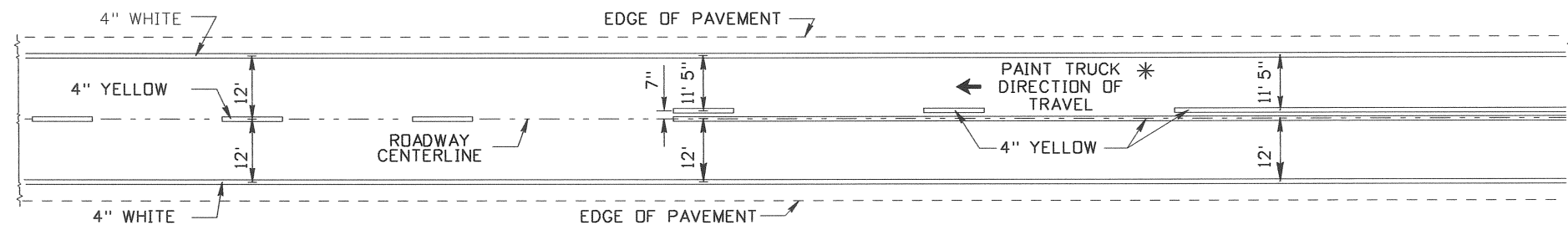
W	A	B	C	D	E	F	G	H	J	K	L	M	N	O	P	W
10.0'	.9'	1.0'	1.4'	2.0'	2.9'	3.9'	5.1'	6.1'	7.0'	7.8'	8.5'	9.0'	9.5'	9.8'	9.9'	10.0'
12.0'	.9'	1.1'	1.5'	2.2'	3.3'	4.6'	6.0'	7.3'	8.4'	9.3'	10.1'	10.8'	11.3'	11.7'	11.9'	12.0'

10' AND 12' MEDIAN WIDTH



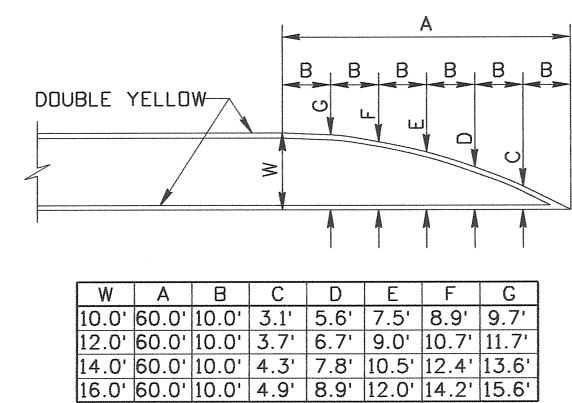
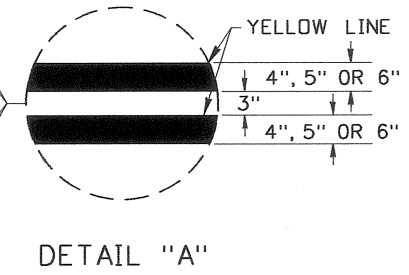
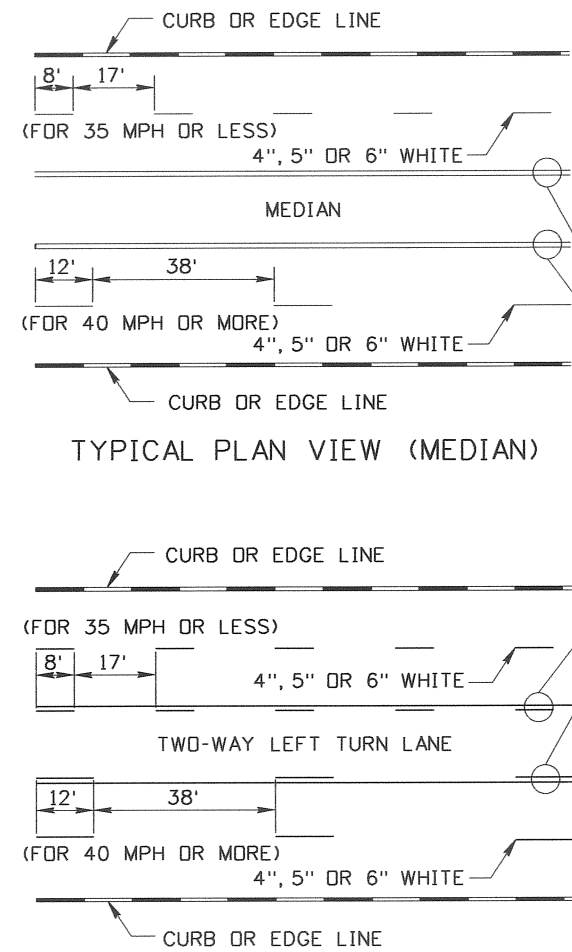
W	A	B	C	D	E	F	G	H	J	K	L	M	N	O	P	W
14.0'	3.0'	3.1'	3.6'	4.3'	5.3'	6.7'	8.1'	9.3'	10.4'	11.4'	12.2'	12.8'	13.3'	13.7'	13.9'	14.0'
16.0'	4.0'	4.2'	4.6'	5.4'	6.6'	8.0'	9.5'	10.9'	12.1'	13.1'	14.0'	14.7'	15.3'	15.7'	15.9'	16.0'

14' AND 16' MEDIAN WIDTH



DIMENSION LAYOUT FOR 12' LANE WIDTHS  
 SEE TABLE BELOW FOR LANE WIDTHS LESS THAN 12'

SECTION WIDTH FEET	DISTANCE FROM CL TO EDGE LINE FEET
20.0'	9.5'
22.0'	10.5'
24.0'	11.5'
26.0' & WIDER	12.0'



W	A	B	C	D	E	F	G
10.0'	60.0'	10.0'	3.1'	5.6'	7.5'	8.9'	9.7'
12.0'	60.0'	10.0'	3.7'	6.7'	9.0'	10.7'	11.7'
14.0'	60.0'	10.0'	4.3'	7.8'	10.5'	12.4'	13.6'
16.0'	60.0'	10.0'	4.9'	8.9'	12.0'	14.2'	15.6'

OFFSET NOSE (OPTIONAL)

NOTES:  
 1. STANDARD LANE LINE WIDTH IS 4".

REVISIONS								
NO.	DATE	BY	NO.	DATE	BY	NO.	DATE	BY
1	12-01	NOB						
2	07-03	HEB						
3	12-04	HEB						
4	05-05	HEB						
5	07-10	HEB						

SCALES SHOWN ARE FOR 11" X 17" PRINTS ONLY

CADD FILE NAME: i21a0710.std

DRAWING DATE: DECEMBER, 1993

**IDAHO TRANSPORTATION DEPARTMENT**

BOISE IDAHO

*Carl D. Main*

ASSISTANT CHIEF ENGINEER (DEVELOPMENT)

CHIEF ENGINEER

STANDARD DRAWING

**STANDARD PAVEMENT MARKINGS FOR ARTERIAL AND COLLECTOR ROADWAYS**

**English**

STANDARD DRAWING NO. I-21-A

SHEET 1 OF 1

PROFESSIONAL ENGINEER  
 REGISTERED  
 6260  
 7/12/10  
 STATE OF IDAHO  
 CARL D. MAIN