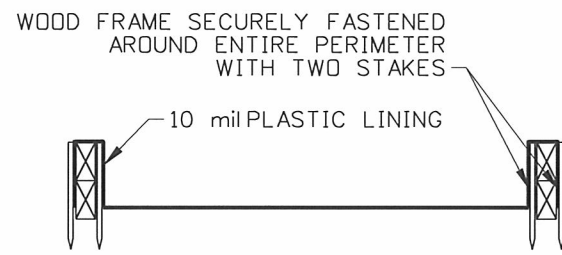
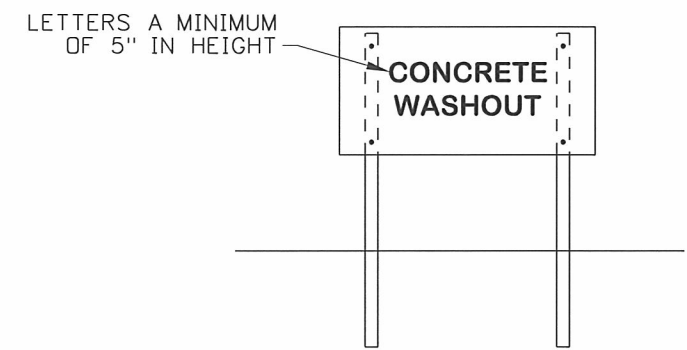


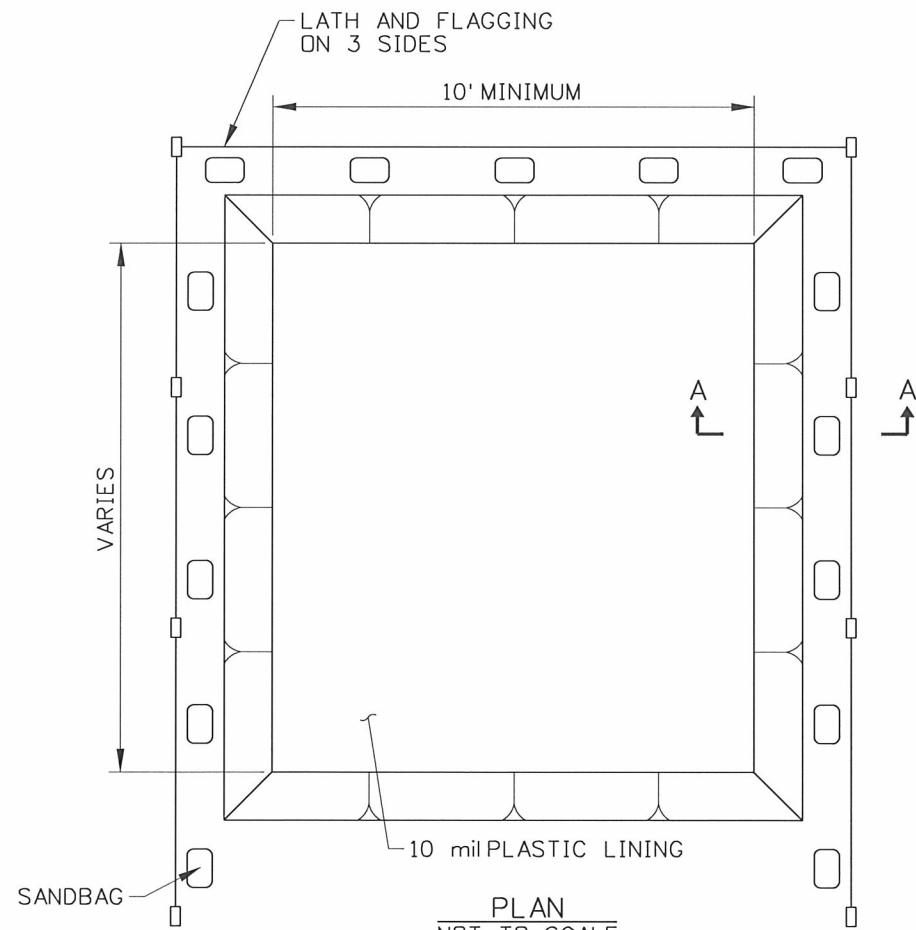
SECTION A-A  
NOT TO SCALE



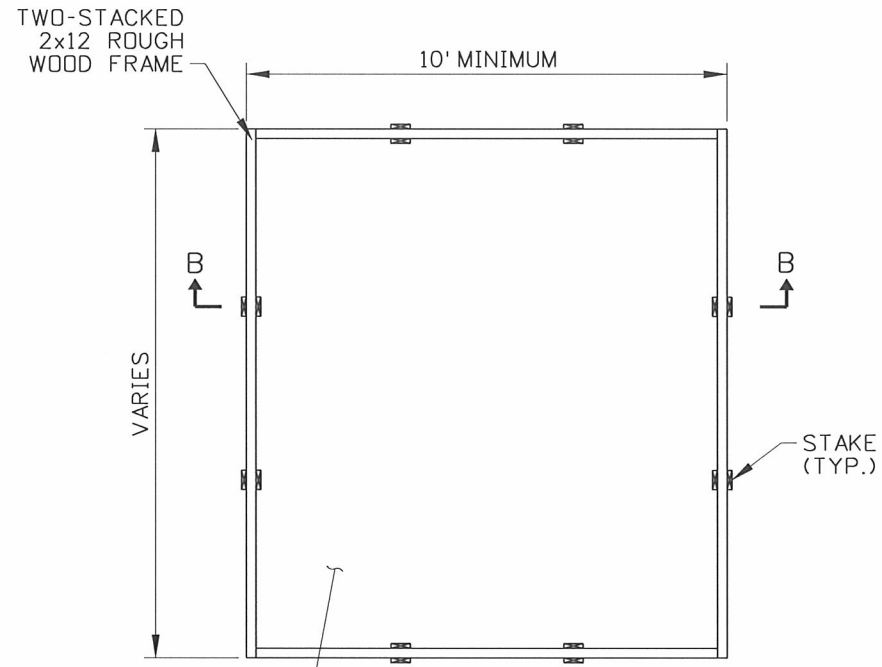
SECTION B-B  
NOT TO SCALE



CONCRETE WASHOUT SIGN DETAIL  
NOT TO SCALE



PLAN  
NOT TO SCALE  
TYPE "BERM"



PLAN  
NOT TO SCALE  
TYPE "WOOD PLANKS"

NOTES

1. ACTUAL LAYOUT DETERMINED IN THE FIELD
2. THE CONCRETE WASHOUT SIGN SHALL BE INSTALLED WITHIN 30 FEET OF THE TEMPORARY CONCRETE WASHOUT FACILITY.
3. USE OF PREFABRICATED TEMPORARY WASHOUT MAY ONLY BE USED ON APPROVAL BY THE ENGINEER.

REVISIONS								
NO.	DATE	BY	NO.	DATE	BY	NO.	DATE	BY

SCALES SHOWN ARE FOR 11" X 17" PRINTS ONLY  
CADD FILE NAME: p5b\_1010.std  
DRAWING DATE: OCTOBER, 2010

**IDAHO TRANSPORTATION DEPARTMENT**  
BOISE IDAHO

*RC Thomas*  
ASSISTANT CHIEF ENGINEER (DEVELOPMENT)  
CHIEF ENGINEER

STANDARD DRAWING  
**TEMPORARY CONCRETE WASHOUT**

**English**  
STANDARD DRAWING NO.  
**P-5-B**  
SHEET 1 OF 1

